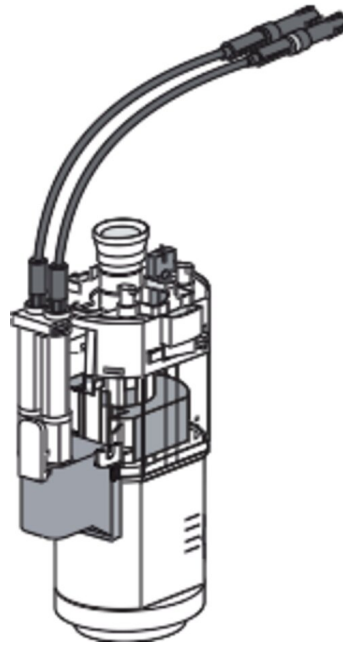


03.982.00..0000

SANIT Universal flush mechanism INEO



Item number

03.982.00..0000

Product description

Universal flush valve INEO, for concealed cisterns with small access opening and 2 cable system CC120, CC150, CC200, CC121, individually boxed